

MORSTAR INC



12868 Farmington Road, Livonia, Michigan 48150, USA

Phone: +1-877-977-3732 FAX: +1-866-936-1782 Email: sales@morstar.com Website: www.morstar.com

LED Area Light 201E Series



50W/100W/150W



200W/300W

Features

1. IP65.
2. Extra photocell sensor Optional
3. Motion sensor and daylight sensor Optional.
4. Color changeable and power adjustable.
5. Comes with multiple bracket options, 5 year warranty on the entire luminaire.
6. Specialized designed for outdoor parking lot and wide area with super slim design.
7. System luminous efficacy 140 lumens per watt, with lifespan of more than 50,000 hours.

Applications

- ◆ Industrial and commercial applications.

For road and area lighting like: tunnels, parking lots, auto dealerships, high masts, apartments, residential complexes, shopping malls, sporting complexes and fields, educational facilities, streets, roadways, parks, etc.

Specifications

| Model NO. | Voltage | Power | CCT | Power Factor | Efficacy | CRI | Lifespan | Certificate |
|---------------------------|-------------|---------------------------|------------------------------|--------------|----------|-------|-----------|--------------------------|
| MA-EPL201E-50W | AC 100-277V | 50W | 5000K | 0.95 | 140lm/W | 70/80 | >50000hrs | ETL/cETL; DLC Premium |
| MA-EPL202E-100W | AC 100-277V | 100W | 5000K | 0.95 | 140lm/W | 70/80 | >50000hrs | ETL/cETL; DLC Premium |
| MA-EPL203E-150W | AC 100-277V | 150W | 5000K/5700K | 0.95 | 140lm/W | 70/80 | >50000hrs | ETL/cETL; DLC Premium |
| MA-EPL203E-150W/120W/100W | AC 100-277V | 150W/120W/100W Tunable | 5000K/4000K/3000K Tunable | 0.95 | 140lm/W | 70/80 | >50000hrs | ETL/cETL; DLC Premium |
| MA-EPL204E-200W | AC 100-277V | 200W | 5000K | 0.95 | 140lm/W | 70/80 | >50000hrs | ETL/cETL; DLC Premium |
| MA-EPL206E-240W | AC 100-277V | 240W | 5000K/5700K | 0.95 | 140lm/W | 70/80 | >50000hrs | ETL/cETL; DLC Premium |
| MA-EPL205E-300W | AC 100-277V | 300W | 5000K/5700K | 0.95 | 140lm/W | 70/80 | >50000hrs | ETL/cETL; DLC Premium |
| MA-EPL205E-300W/240W/200W | AC 100-277V | 300W/240W/200W Tunable | 5000K/4000K/3000K Tunable | 0.95 | 140lm/W | 70/80 | >50000hrs | ETL/cETL; DLC Premium |

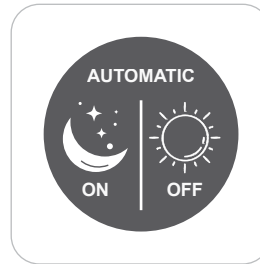
Function



Power Select



Motion sensor

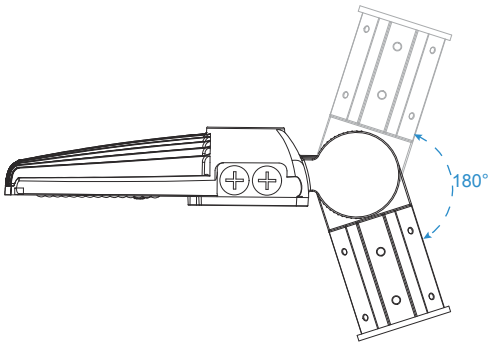


Photocell sensor

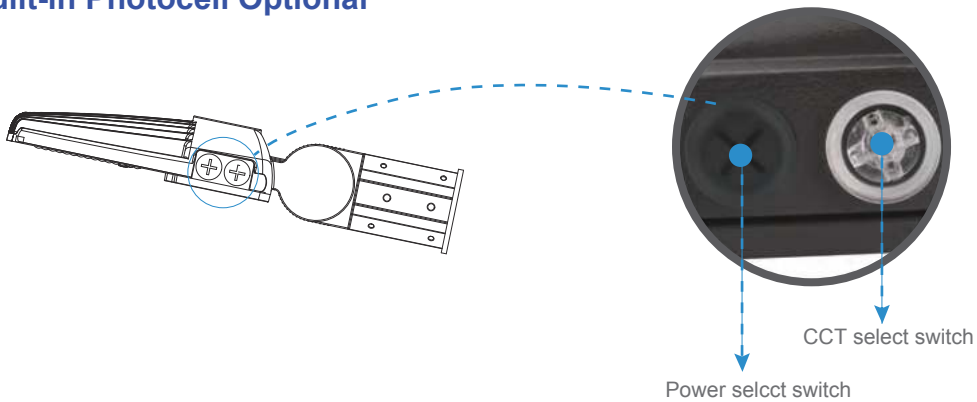


ADC12 Die casting

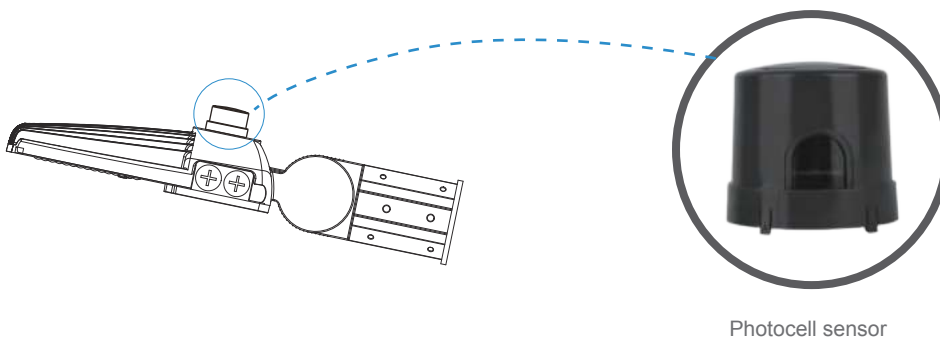
Bracket Angel 180° Adjustable



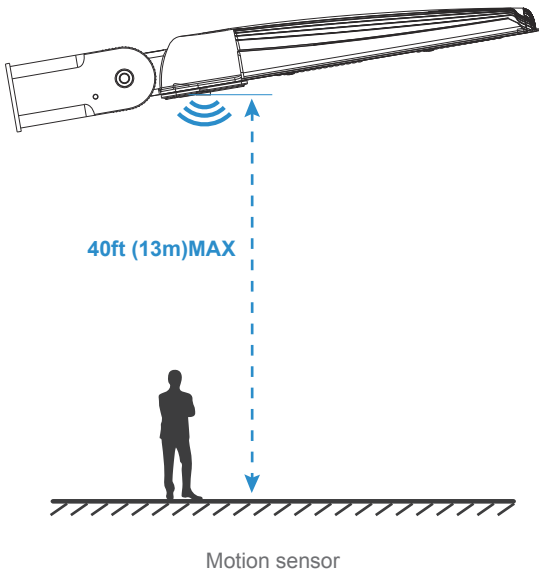
Built-in Photocell Optional



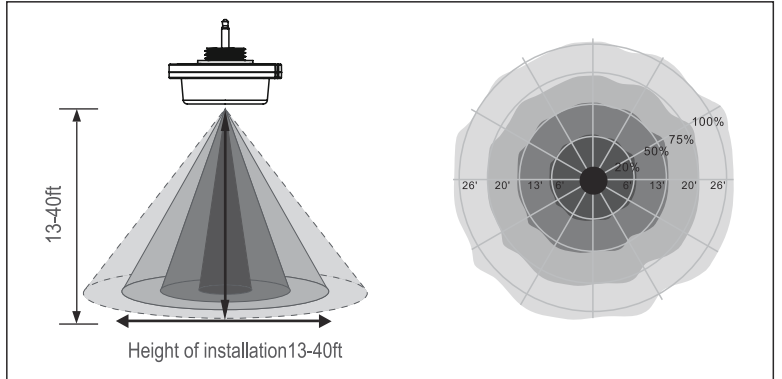
Twist Lock Photocell Sensor Optional



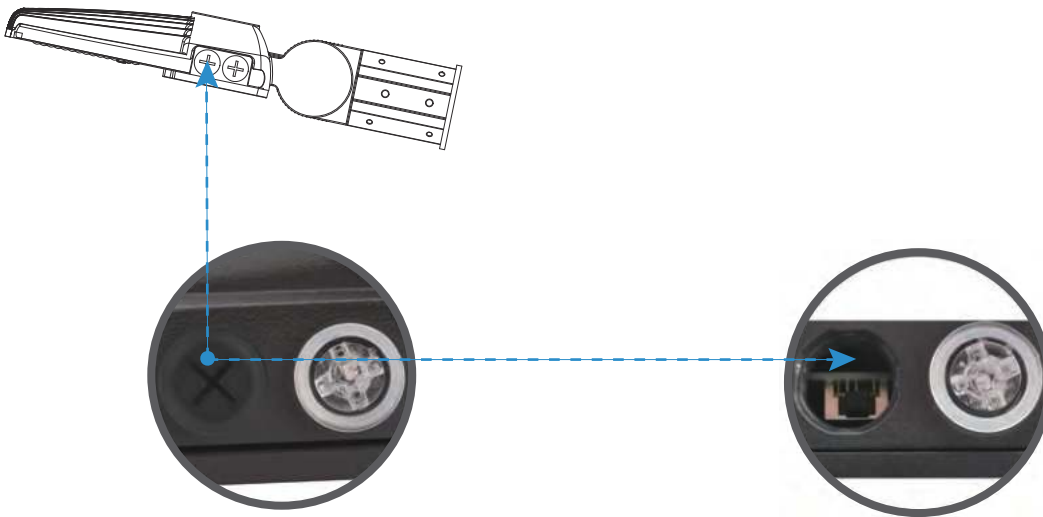
Bi-level Microwave Sensor Optional



SENSOR COVERAGE



DIP switch design, three wattages can be selected



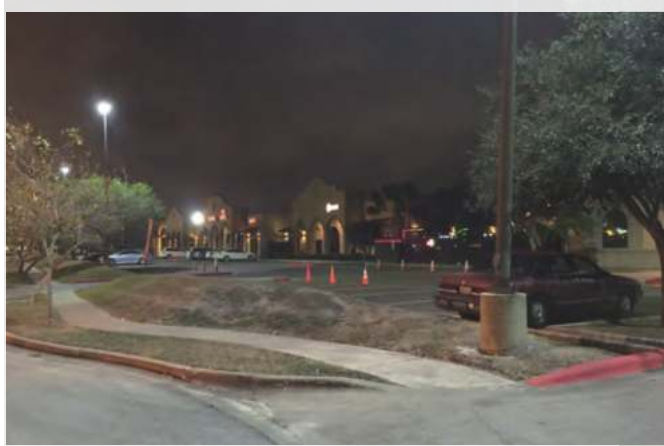
DIP Switch

| | | |
|------|------|----------|
| 80W | 110W | 150W |
| 1 | 2 | 3 |
| 200W | 240W | 300W |
| 1 | 2 | 3 |

Compatible With Different Mount Brackets



Applications



Shopping Centers



Auto Dealership



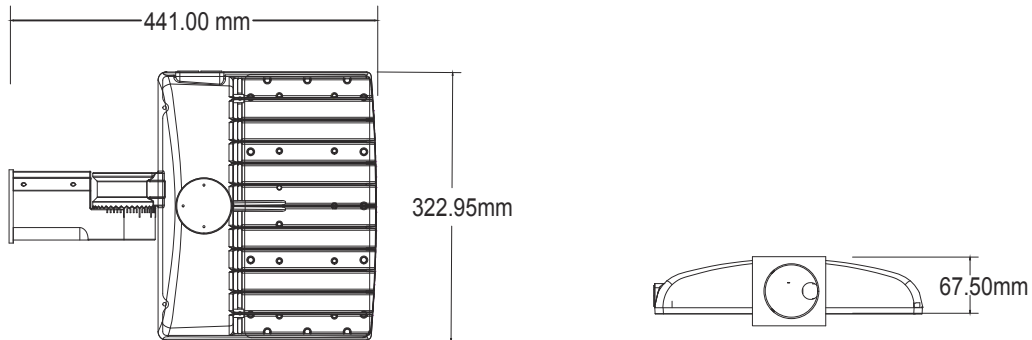
Sport Fields



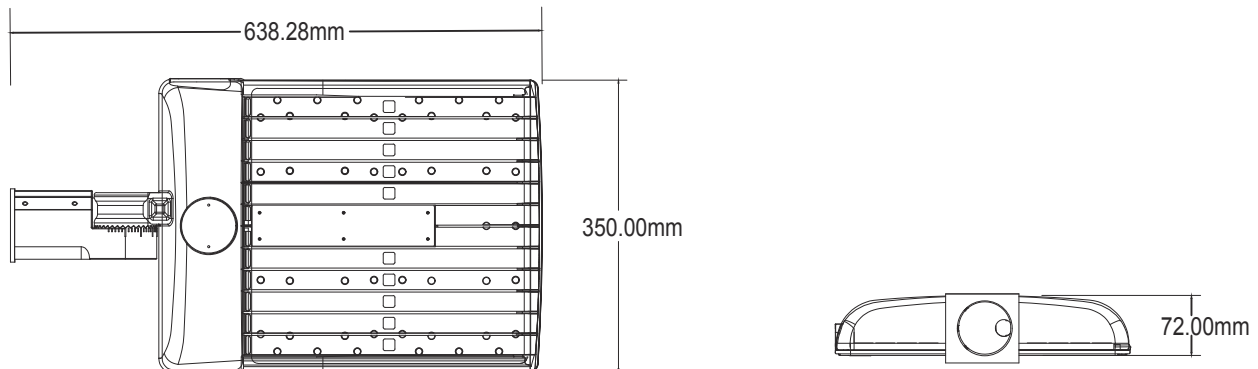
Roadways

Dimension Drawings

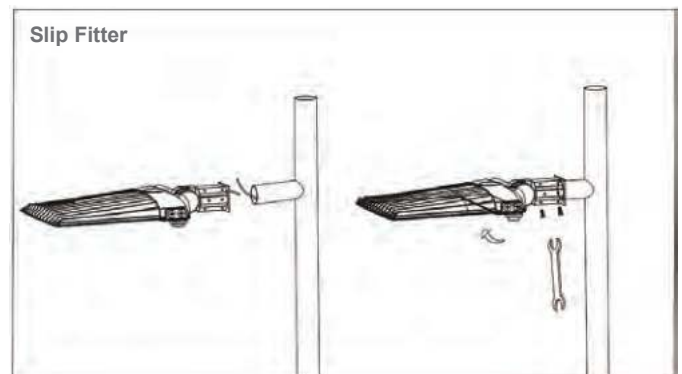
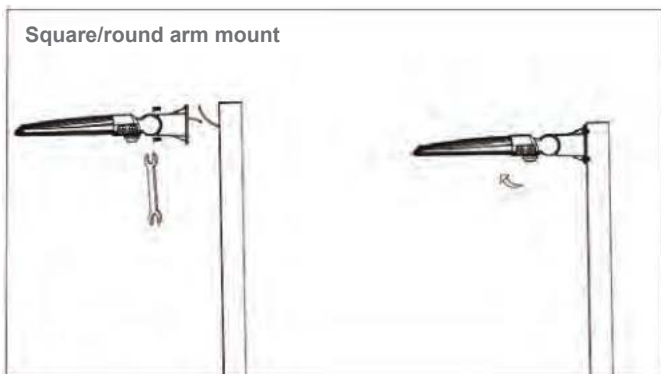
Dimension 1: (50W~150W)

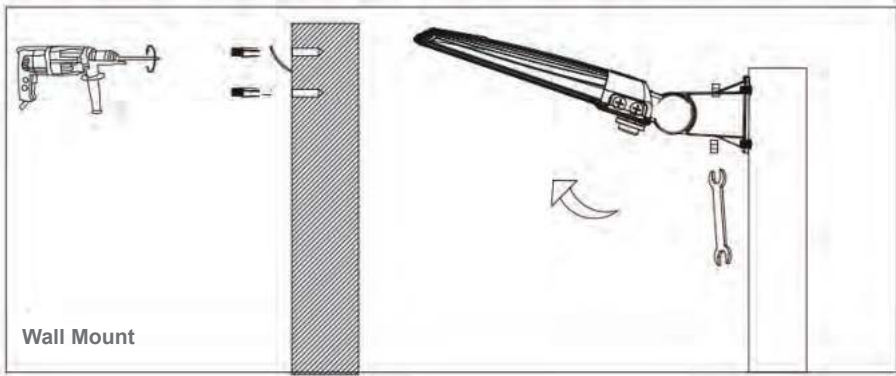


Dimension 2: (200W~300W)



Installation

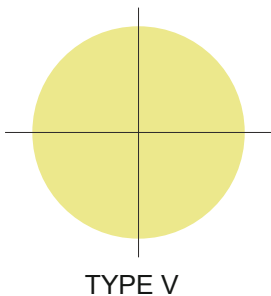
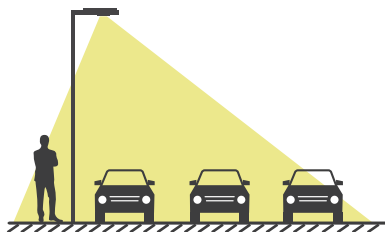
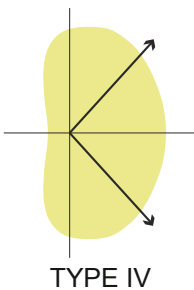
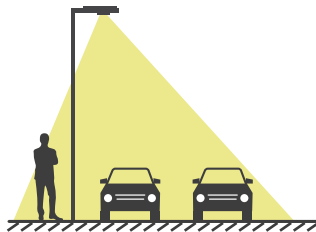
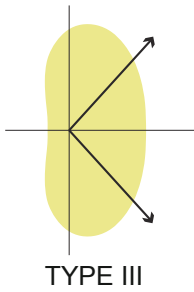




Options For Optic Lens

Type III ,Type IV ,Type V and flood lens optional

Lens Ordering Matrix



Lens Distribution

T5

- T3 = Type III (90°X 140°)
- T4 = Type IV (100° X 140°)
- T5 = Type V (120°)
- 60 = *Flood (60°)
- 30 = *Flood (30°)

Flood Light Lens contain a Type V lighting distribution; typically used in applications with low mounting heights.

LENS QUANTITY PER FIXTURE

QTY: 1 for 50W / 80W QTY: 1 for 100W / 150W
 QTY: 2 for 200W / 240W QTY: 2 for 300W

Packaging information

| Wattage | Product Size(mm/in) | Package Size(mm/in) | N.W (Kg/lb) | G.W (Kg/Lbs) | QTY |
|---------|--|---|-----------------|----------------|-------|
| 50W | 340 x 322 x 77.5 mm 13.39 x 12.68 x 3.05 in | 580 x 400 x 130 mm 22.83 x 15.75 x 5.12 in | 3.8 Kg(8.38 lb) | 4.8kg(10.59lb) | 1 PCS |
| 100W | 340 x 322 x 77.5 mm 13.39 x 12.68 x 3.05 in | 580 x 400 x 130 mm 22.83 x 15.75 x 5.12 in | 3.8 Kg(8.38 lb) | 4.8kg(10.59lb) | 1 PCS |
| 150W | 340 x 322 x 77.5 mm 13.39 x 12.68 x 3.05 in | 580 x 400 x 130 mm 22.83 x 15.75 x 5.12 in | 3.8 Kg(8.38 lb) | 4.8kg(10.59lb) | 1 PCS |
| 200W | 538 x 354 x 72 mm 21.18 x 13.94 x 2.83 in | 610 x 410 x 130 mm 24.02 x 16.14 x 5.12 in | 5.2 Kg(11.47lb) | 6.7kg(14.78lb) | 1 PCS |
| 240W | 538 x 354 x 72 mm 21.18 x 13.94 x 2.83 in | 610 x 410 x 130 mm 24.02 x 16.14 x 5.12 in | 5.2 Kg(11.47lb) | 6.7kg(14.78lb) | 1 PCS |
| 300W | 538 x 354 x 72 mm 21.18 x 13.94 x 2.83 in | 610 x 410 x 130 mm 24.02 x 16.14 x 5.12 in | 5.2 Kg(11.47lb) | 6.7kg(14.78lb) | 1 PCS |

